

# BUZZER

## Introduction & Tutorial

Version 1.0

### 1. Introduction

Controlled by a difference of high/low electric levels, buzzer can emit buzz continuously or intermittently as per the settings. When an abnormal event is detected, such as over-speeding or crossing geo-fence, buzzer can sound to warn drivers or deter thieves.

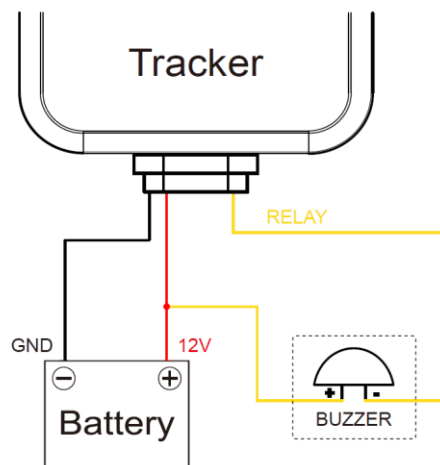
### 2. Picture



### 3. Specification

Operating voltage	5-36V, usually 5V or 12V
-------------------	--------------------------

### 4. Wiring diagram



## 5. Supported devices



GT06E



X3



JM-VG04

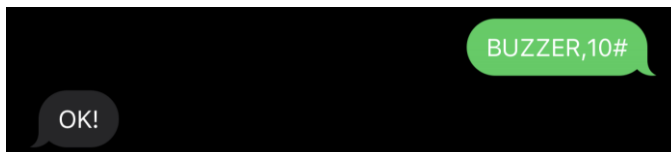
## 6.1 Commands of X3

- **Function: Turn on buzzer alarm**

Command: `BUZZER,T#`

T=10-60 (unit: second), sound duration when triggered, unit: second, default=10s

**Note:** When setting this function, any parameter can't be omitted or missed, also the Baud rate ought to be correct.



- **Function: Buzzer alarm when over-speeding**

Command: `SPEED,ON/OFF,T,V,M,B#`

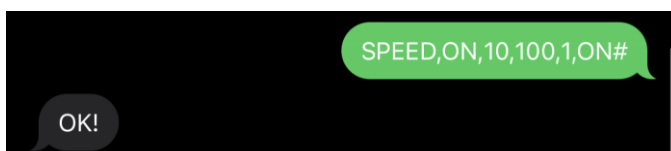
ON/OFF: Turn on/off buzzer alarm, default=off.

T=5-600 (unit: second), time interval, default=20s.

V=1-255 (unit: km/h), the threshold of speed, default=50km/h.

M=0/1, when M=0, alert sent by GPRS, when M=1, alert sent by SMS+GPRS, default blocked.

B=ON/OFF, when B=ON, buzzer sounds after triggered, when B=OFF, buzzer is always silent. Default=ON



- **Function: Buzzer alarm when enter/exit geo-fence**

Command: **FENCEBUR,ON/OFF,X,T#**

ON/OFF: turn on/off buzzer alarm, default=off.

X=1, buzzer sounds only when enter geo-fence.

X=2, buzzer sounds only when exit geo-fence.

X=3, buzzer sounds when enter or exit geo-fence.

T=10-60 (unit: second), sound duration when triggered, default=10s.



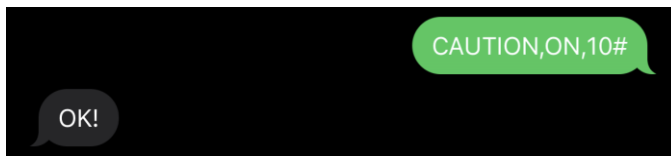
## 6.2 Commands of JM-VG04

- **Function: Turn on/off buzzer alarm**

Command: **CAUTION,A,T#**

A=ON/OFF: turn on/off buzzer alarm.

T=1-255 (unit: second), sound duration when triggered, default=10s.



- **Function: Buzzer alarm when over-speeding**

Command: **SPEED,ON/OFF,T,V,M,B#**

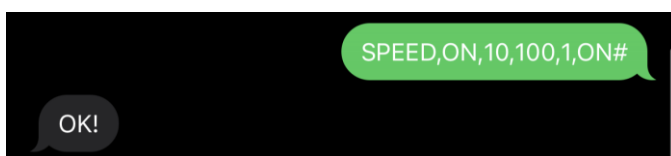
ON/OFF: turn on/off buzzer alarm, default=off.

T=5-600 (unit: second), time interval, default=20s.

V=1-255 (unit: km/h), the threshold of speed, default=50km/h.

M=0/1, when M=0, alert sent by GPRS, when M=1, alert sent by SMS+GPRS, default blocked.

B=ON/OFF, when B=ON, buzzer sounds after triggered, when B=OFF, buzzer is always silent. Default=ON.



- **Function: Buzzer alarm when enter/exit geo-fence**

Command: **FENCEBUR,ON/OFF,X,T#**

ON/OFF: Turn on/off buzzer alarm, default=off.

X=1, buzzer sounds only when enter geo-fence.

X=2, buzzer sounds only when exit geo-fence.

X=3, buzzer sounds when enter or exit geo-fence.

T=10-60 (unit: second), sound duration when triggered, default=10s.



## 6.3 Commands of GT06E

- **Function: Turn on/off buzzer alarm**

Command: **SPK,A#**

A=ON/OFF: turn on/off buzzer alarm.

